

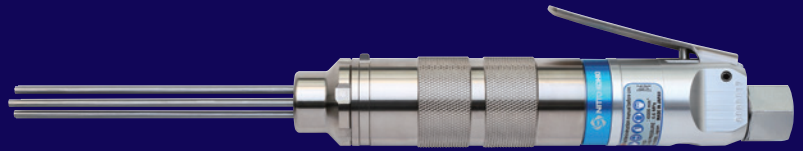
JET CHISEL Model **JT-16**

Small! Light!

Introducing the newest model of JET CHISEL

For removing weld spatter, paint, rust
and other debris from most surfaces

- The lightest weight in the series at only **800 g**
- Easy to change needles
- Easy to grip with a **34 mm** OD
- New design prevents needle deflection



[Easy to change needles] Patent pending

Safety band

Push here

Push in the bent part of the safety band and loosen it

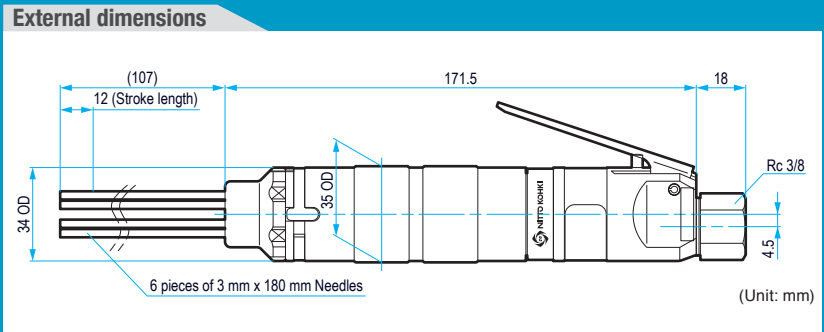
Lock ring

Unscrew the lock ring with the safety band loose

You can easily change needles without removing the safety band

Lightweight model that can be used with one hand

Specifications		Model	JT-16
Model			JT-16
Air Pressure	MPa(kgf/cm ²)		0.6 (6)
Air Consumption (No-load)	m ³ /min		0.16
Strokes per Minute	min ⁻¹		6000
Number of needles used	2 mm		15
	3 mm		6
Standard length of needle	mm		180
Mass (Weight)	g		800
Accessories Included	<ul style="list-style-type: none"> • 6 pieces of 3 mm x 180 mm Needles (Installed) • 6 pieces of 3 mm x 180 mm Needles • Bushing R 3/8 x NPT 3/8 • Hose Nipple R 3/8 x 3/8 		



Optional items

Needle Supporter 2 mm
PN : TQ15316

2 mm needle enables detailed work

JET CHISEL Series

Lightweight model		Versatile model	
AJC-16	JC-16	JT-20	JEX-24
Low vibration model	Heavy-duty model	Low vibration model	Electric type
JEX-20	JEX-28	JEX-2800A	EJC-32A

Focused on you
NITTO KOHKI CO., LTD.
Web www.nitto-kohki.co.jp/e

Head Office
9-4, Nakaikegami 2-chome, Ohta-ku, Tokyo 146-8555, Japan
Tel : +81-3-3755-1111 Fax : +81-3-3753-8791
E-mail : overseas@nitto-kohki.co.jp

DISTRIBUTED BY